

EVpack-fuse MEV80

800 VDC Max., L/R ≤ 1ms, 100 - 350A

BATTERY FUSES

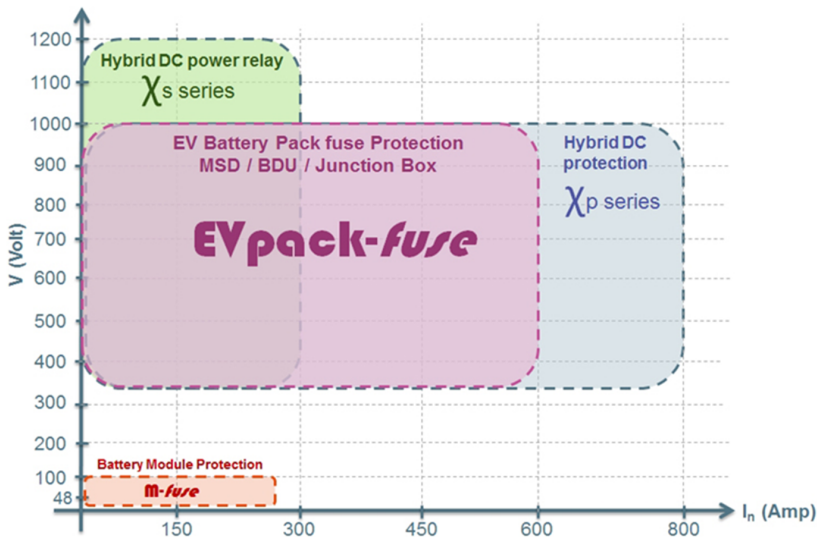
BATTERY PACK FUSES



EVpack-fuse line-up belongs to the new DC Over-Current protection (O.C.P.) range developed by MERSEN to address specific needs in EV/ HEV and Battery Electrical Storage System.

EVpack-fuse provides the ultimate protection of the battery pack offering reliable clearing of DC fault currents.

It has been specifically engineered and tested to provide DC applications best-in-class protection performance: Up to 800VDC, Current rating (I_n)= 100 to 350A, Interrupting Rating (IR) = 30kA, L/R ≤ 1ms, Minimum Breaking Capacity (MBC) < 2kA for a perfect matching with DC contactor.



FEATURES & BENEFITS

- Design for DC battery applications
- Low watt losses
- High cycling performance
- Ultra compact size
- Current Ratings (I_n): 100 to 350A
- Interrupting Rating (IR): 2 to 30kA @ 800VDC, L/R < 1ms

APPLICATIONS

- EV/HEV
- Battery pack protection
- Battery Disconnect Unit (BDU)
- Battery charging pole & station
- Supercapacitor bank protection
- Backup protection for DC relay / disconnect / switch
- Maintenance Safety Disconnect (MSD)
- Electrical Energy Storage

STANDARDS

- Power Cycling: JASO D622 & ISO 8820-8
- Vibration: JASO D622
- Environmental: JASO D622 (Consult Factory)
- UL pending



EV pack-fuse

PRODUCT RANGE

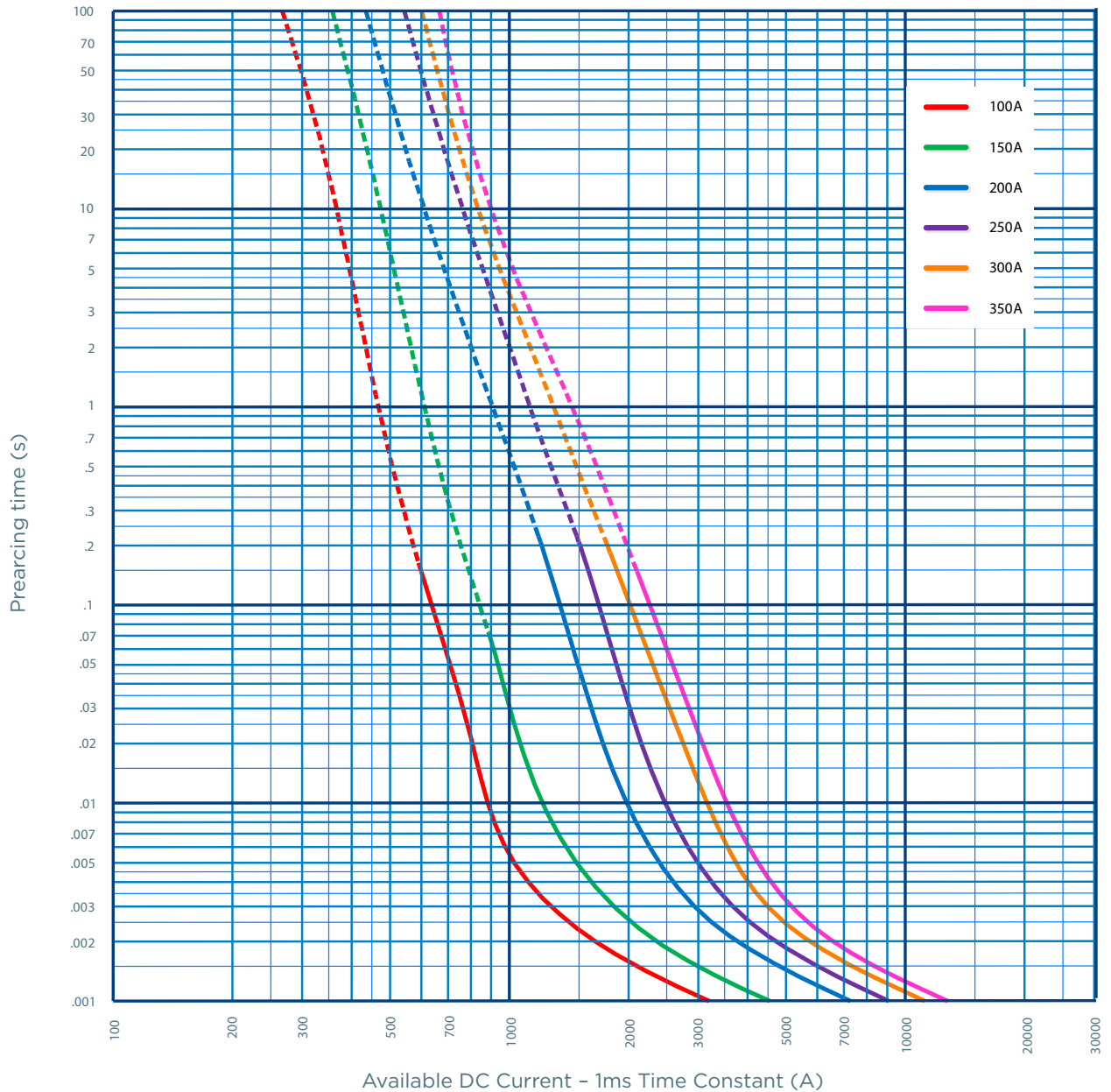


MEV80S -S Surface Mount

Catalog number	Rated voltage DC (UL)	Rated current I _n	Power dissipation at 0.5 I _n	Min. breaking capacity (MBC)	Max. time to clear MBC	Weight
MEV80S100-S	800 V	100 A	3 W	500 A	1 s	0.25 kg
MEV80S150-S	800 V	150 A	5 W	900 A	1 s	0.25 kg
MEV80S200-S	800 V	200 A	6 W	1200 A	1 s	0.25 kg
MEV80S250-S	800 V	250 A	7 W	1500 A	1 s	0.25 kg
MEV80S300-S	800 V	300 A	9 W	1800 A	1 s	0.25 kg
MEV80S350-S	800 V	350 A	11 W	2000 A	1 s	0.25 kg

TIME CURRENT CHARACTERISTIC CURVES

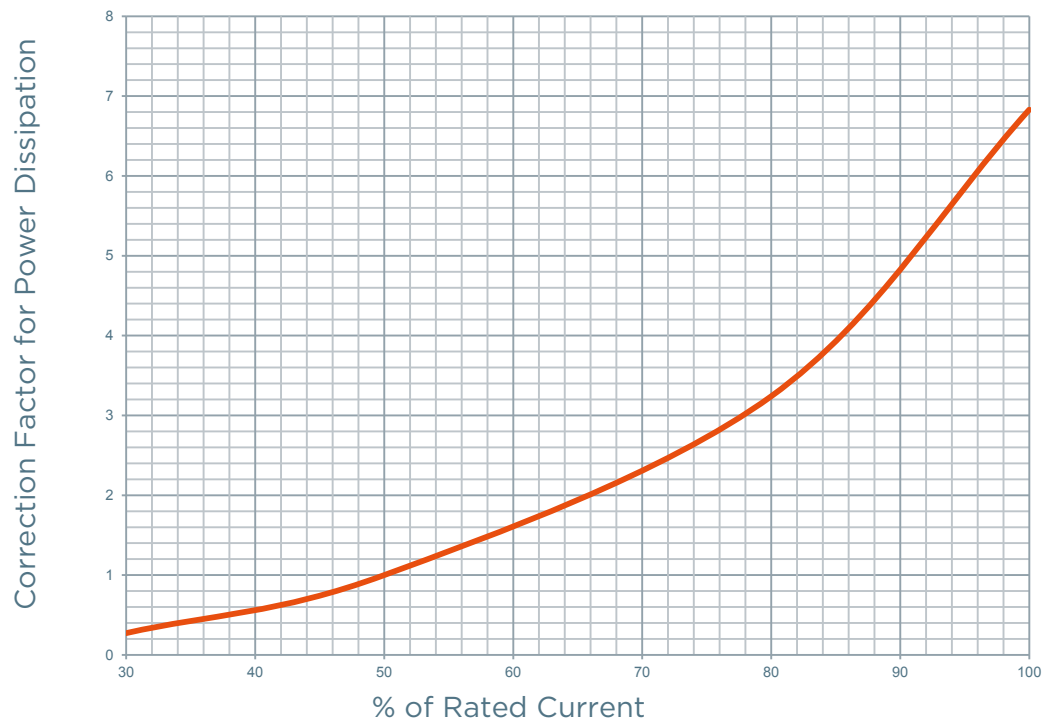
MEV80S -S



MERSEN reserves the right to change, update or correct, without notice, any information contained in this datasheet.

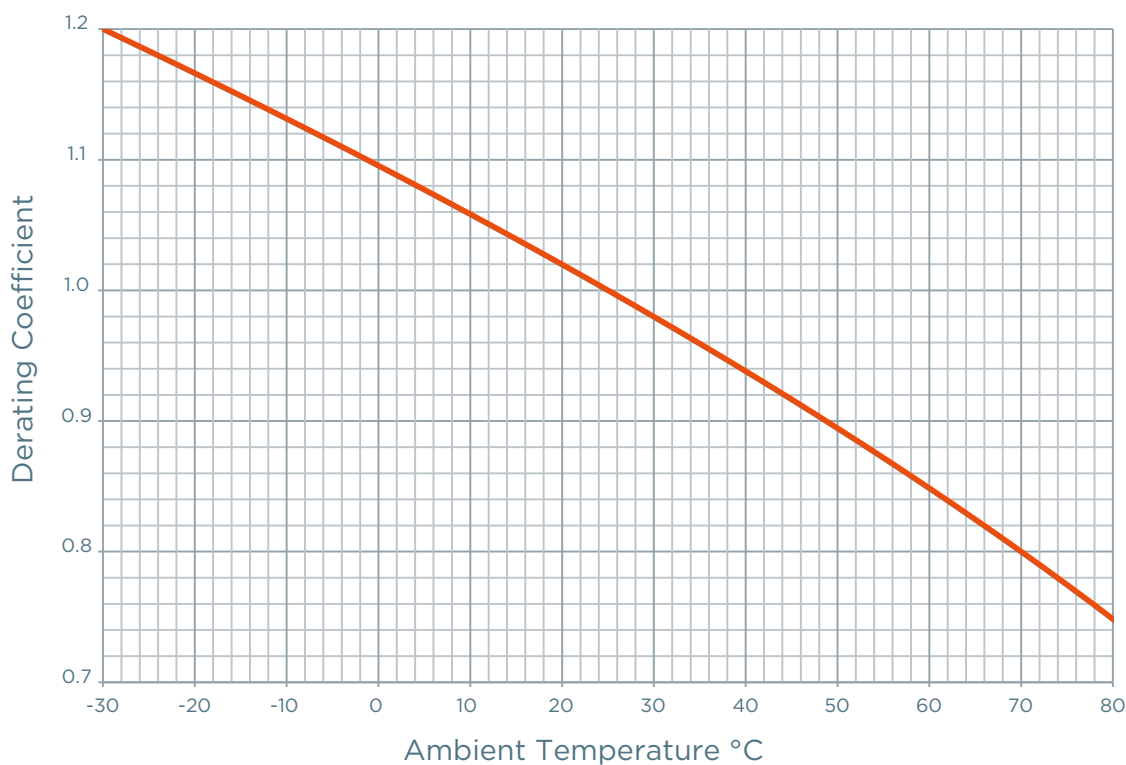
POWER DISSIPATION

MEV80S -S



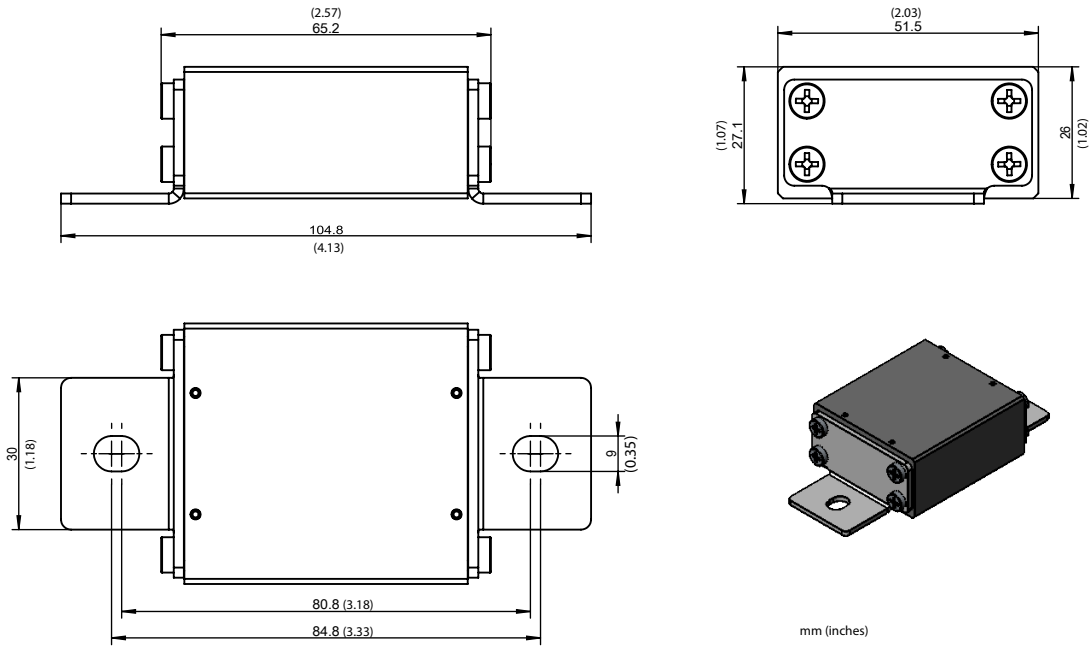
TEMPERATURE DERATING

MEV80S -S



DIMENSIONS

MEV80S -S Surface Mount Fuse (100-350A)



Dimensions in mm